

Product Finish: Stainless steel

Product code: AT1107
EAN13 barcode: 5060048380880



Product features:

- 304 grade brushed stainless steel construction
- Custom designed for lower to mid pressures
- Connects to any water supply, works independently of the tap
- Single spray pattern showerhead
- Grey nylon spout hose for stylish durability

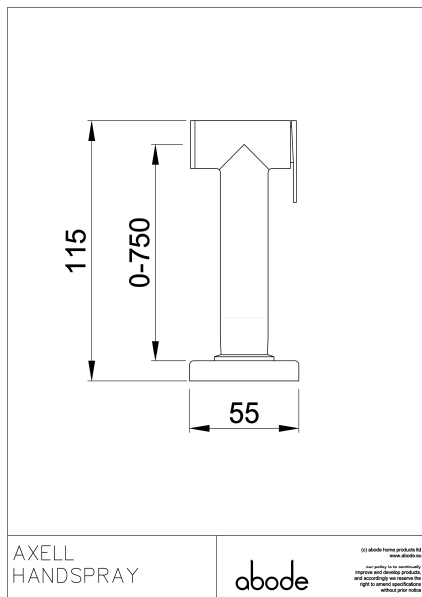
Additional information / Parts included:

The installation of this product should respect requirement IRN R090.

Tap hole size min=28mm Recommended 35mm max = 45mm

Note: the image shown may not reflect the product finish, chrome finish is typically depicted.

Product dimensions:



- Overall Height / projection: 115 mm
- Exit reach: 100-750 mm
- Exit height: 110 mm
- Centre distance(s):

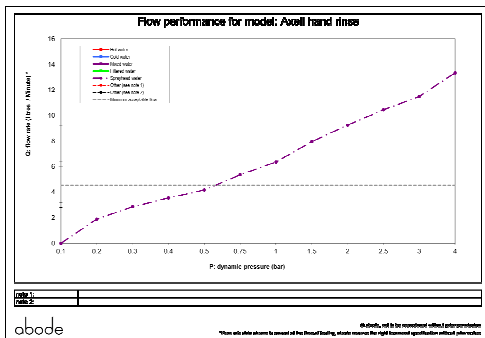
- Base diameter(s): 55 mm
- Recommended hole diameter: Ø 35 mm
- Max. surface depth: 50 mm

- Spout diameter: n/a mm
- Spout aerator size: n/a

Packaged properties:

- Box length: 240mm Box depth: 75mm
- Box width: 210mm Units per outer: 10
- Tap only weight: 0.24kg Boxed weight: 0.94kg

Product flow characteristics:



- Min / Max water pressure: 0.50 / 2 bar
- Recommended / Max water temperature: 46°C / 70°C
- Part G - Mixed flow rate at 3 bar (litres / min): 11.49

- Control valve type: Trigger
- Product flow characteristics: Single flow
- Non return valve(s): 1 x NRV supplied

- Aerator type: Metal spray diffuser
- Accepts revolve / spray areator: No
- Spout connection method: N/a

- Tail pipe inlet / outlet size: M15 / 1/2" BSP Male
- Inlet pipe type / length: flexible stainless braided hose (swivel) / 1500

Care instructions summary:

- Clean the mixers and showers regularly as required, using soap, do not use any other cleaners.
- Regular cleaning will prevent the build-up of lime scale and dirt
- After cleaning rinse thoroughly with clean water to remove any cleaner residue
- Residues of sink & worktop cleaners can also cause damage, so rinse with clean water after using, avoid contact with any abrasives

Warranty Summary (Full details available on request):

- Materials and workmanship defects warranted for 5 years
- Valves and working parts warranted for 5 years
- Surface warranty defects warranted for 1 year
- O-rings, hoses & gaskets warranted for 1 year